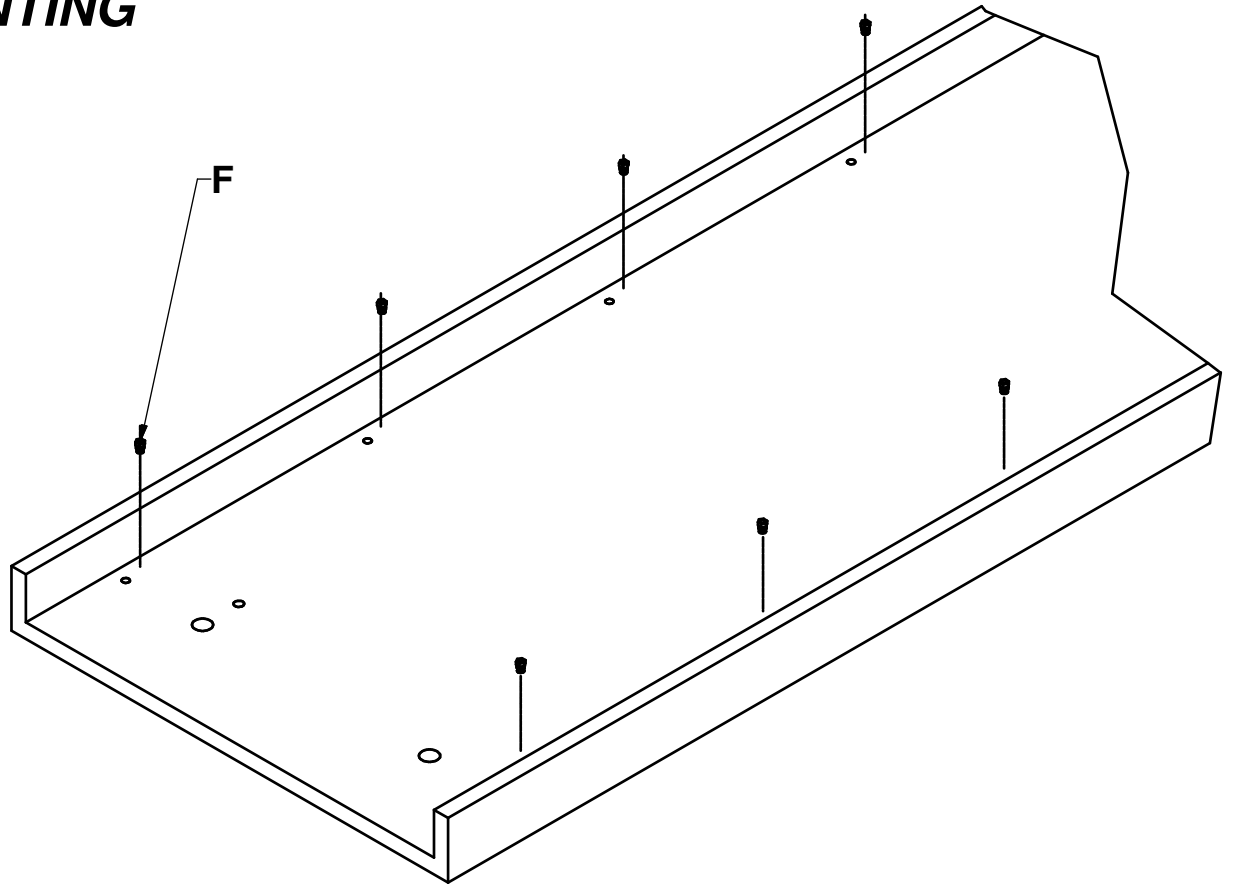
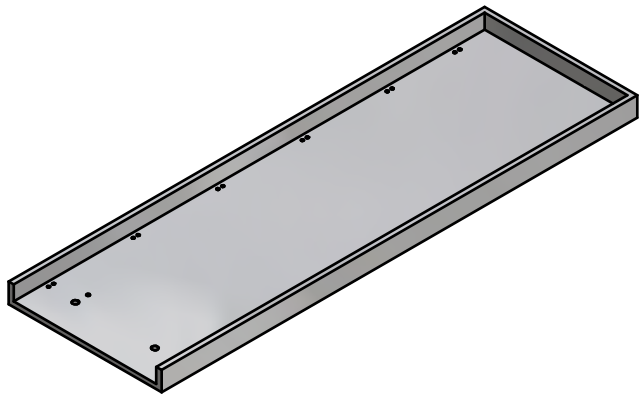
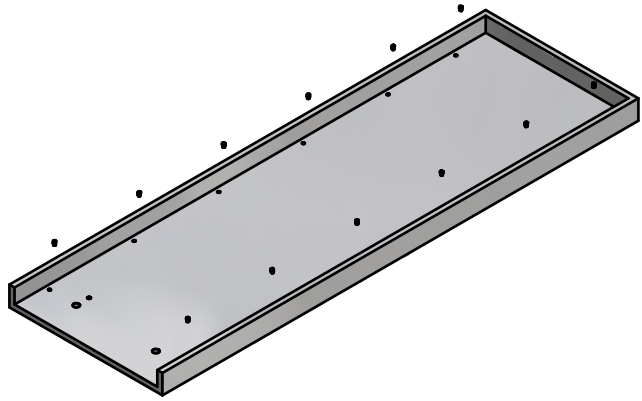


# MONTAGGIO BUSSOLE SUL PIANO *TOP PLANE BUSHES MOUNTING*



F -  x12