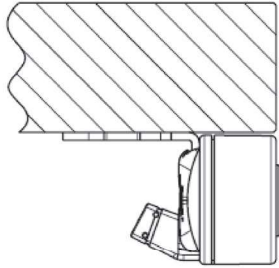


Mounting of the DPF:

The DPF must be mounted via a mounting bracket. The mounting bracket comes in 4 different versions depending on how the panel should be mounted. Below are some examples on ways to mount:

Example 1: (Article number 914759)

The panel is mounted with a 90° bracket and placed closed to the tabletop.



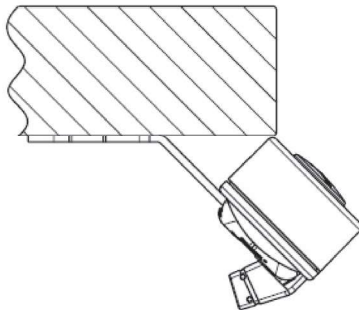
Example 2: (Article number 914757)

The panel is mounted with a 90° bracket and placed with a distance to the tabletop.



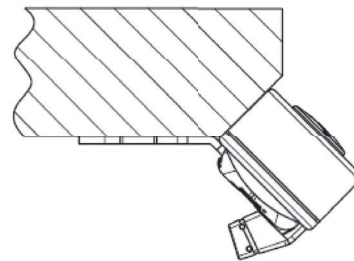
Example 3: (Article number 914760)

The panel is mounted with a 45° bracket and placed at the edge of the tabletop.



Example 4: (Article number 914785)

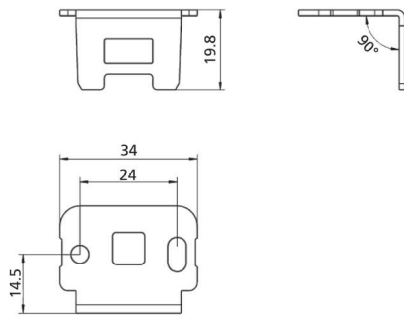
The panel is mounted with a 45° bracket and placed on a tabletop with angled front.



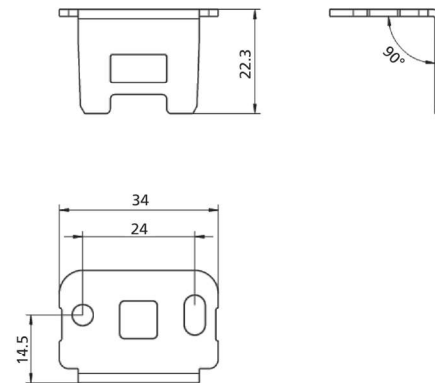
To mount the panel: Just click the panel into the bracket and it is fixed.

Drawings of the mounting brackets:

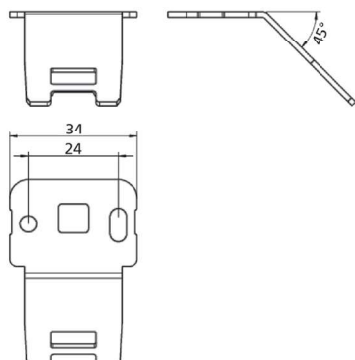
Article number 914759



Article number 914757



Article number 914760



Article number 914785

